



ABC-YGLD

EXHAUST AIR WALL LOUVRE



USE

ABC-YGLD is an exterior wall louvre for exhaust air. Used for requirements at low noise levels.

DESIGN

The louvre consists of a mounting frame with removable louvre insert and a small animal-safe wire mesh. The louvres are soundproofed with type approved mineral wool board covered with perforated sheet metal. ABC-YGLD is usually manufactured in ABC-Garantiplåt with a 25-year paint coating guarantee for corrosivity class C4.

SIZE

Available in sizes from 300x300 - 2000x2000 mm in steps of 100 mm. BxH can be combined optionally.

ACCESSORIES

- Mounting plates for masonry.
- Insect-proof wire mesh
- Run-off plate
- Electrical defrosting

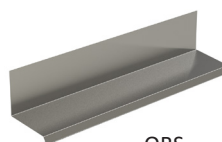
MAINTENANCE

Inspection of the product should be done at least once a year.

EXAMPLE DESCRIPTIVE TEXT

VVS AMA
QMF.1

Wall louvre ABC-YGLD by ABC Ventilationproducts AB. Size 800x800. Manufactured in ABC Garantiplåt corrosivity class C4 with a 25-year paint coating guarantee.



OBS.

Where necessary, fit a run-off strip/ in accordance with Hus-Ama.

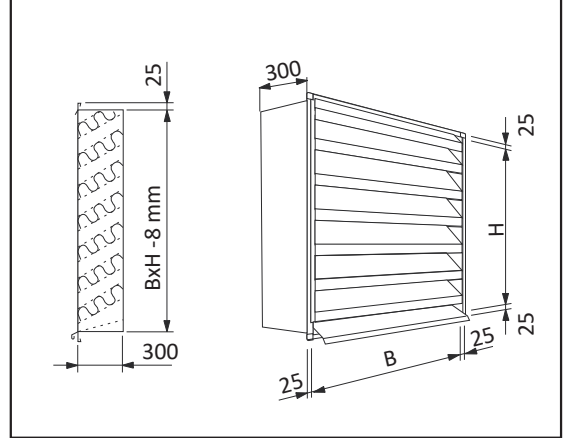
The sound power level is reduced by the distance from the louvre, according to the following table:

Distance in meters	1	2	4	6	8	10
Reduction of the sound power level in dB	3	9	15	18	21	24

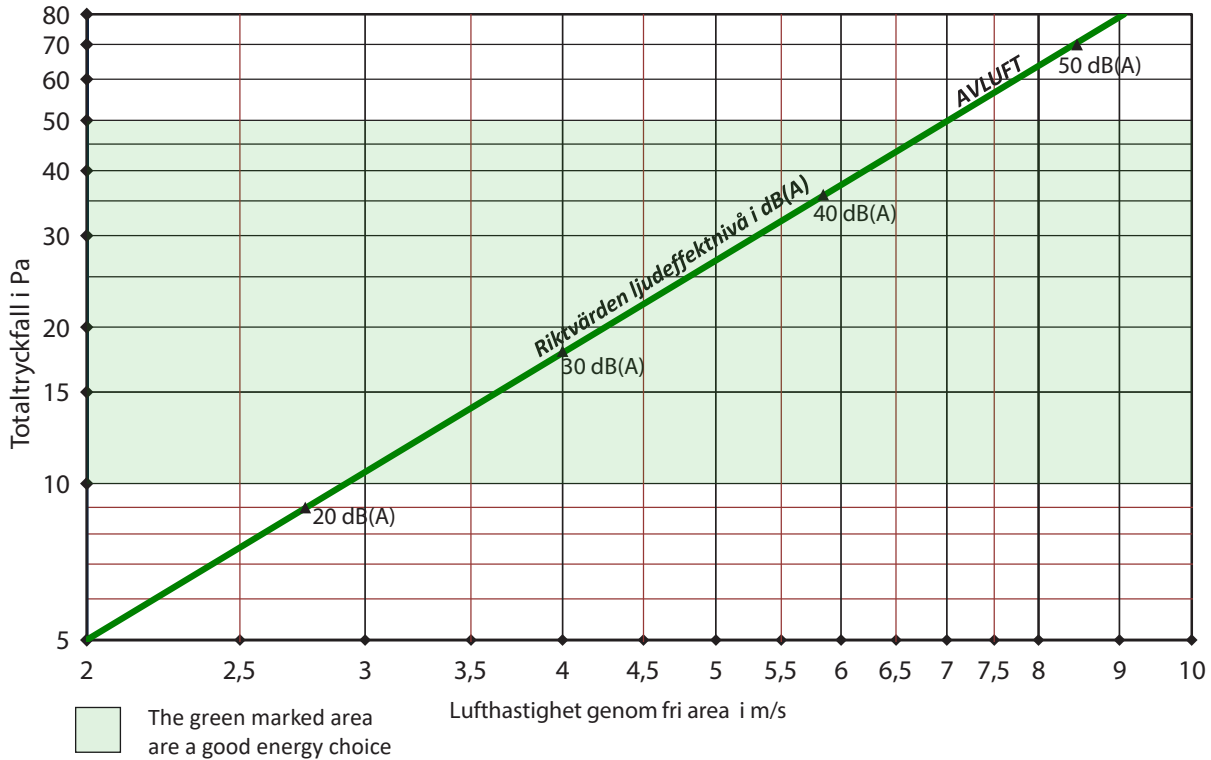
NOTE: Sound attenuation is calculated using a theoretical formula for attenuation of sounds generated from a flat surface (outdoors).

DIMENSIONS

Specified data are guide values.



YGLD AVLUF:



ABC-YGLD exhaust air

Recommended maximum air flow at exhaust air. Air velocity through free area 7m/s, total pressure drop 50 Pa

Enhet l/s

H \ B	300	400	500	600	700	800	900	1000	1100	1200	1300	1400	1500	1600	1700	1800	1900	2000
300	127	176	225	274	323	372	421	470	519	568	617	666	715	764	813	862	911	960
400	191	265	338	412	485	559	632	706	779	853	926	1000	1073	1147	1220	1294	1367	1441
500	255	353	451	549	647	745	843	941	1039	1137	1235	1333	1431	1529	1627	1725	1823	1921
600	382	529	676	823	970	1117	1264	1411	1558	1705	1852	1999	2146	2293	2440	2587	2734	2881
700	446	617	789	960	1132	1303	1475	1646	1818	1989	2161	2332	2504	2675	2847	3018	3190	3361
800	510	706	902	1098	1294	1490	1686	1882	2078	2274	2470	2666	2862	3058	3254	3450	3646	3842
900	637	882	1127	1372	1617	1862	2107	2352	2597	2842	3087	3332	3577	3822	4067	4312	4557	4802
1000	701	970	1240	1509	1779	2048	2318	2587	2857	3126	3396	3665	3935	4204	4474	4743	5013	5282
1100	764	1058	1352	1646	1940	2234	2528	2822	3116	3410	3704	3998	4292	4586	4880	5174	5468	5762
1200	892	1235	1578	1921	2264	2607	2950	3293	3636	3979	4322	4665	5008	5351	5694	6037	6380	6723
1300	956	1323	1691	2058	2426	2793	3161	3528	3896	4263	4631	4998	5366	5733	6101	6468	6836	7203
1400	1019	1411	1803	2195	2587	2979	3371	3763	4155	4547	4939	5331	5723	6115	6507	6899	7291	7683
1500	1147	1588	2029	2470	2911	3352	3793	4234	4675	5116	5557	5998	6439	6880	7321	7762	8203	8644
1600	1210	1676	2141	2607	3072	3538	4003	4469	4934	5400	5865	6331	6796	7262	7727	8193	8658	9124
1700	1274	1764	2254	2744	3234	3724	4214	4704	5194	5684	6174	6664	7254	7644	8134	8624	9114	9604
1800	1401	1940	2479	3018	3557	4096	4635	5174	5713	6252	6791	7330	7869	8408	8947	9486	10025	10564
1900	1465	2029	2592	3156	3719	4283	4846	5410	5973	6537	7100	7664	8227	8791	9354	9918	10481	11045
2000	1529	2117	2705	3293	3881	4469	5057	5645	6233	6821	7409	7997	8585	9173	9761	10349	10937	11525

Sound and pressure measurements performed by RISE

Installation:

Applies to: ABC -YGLD



Use a run-off plate to avoid water being led in behind the grille. Seal against the surface in a suitable way.

- Carriage of aerosols, powder snow or icing can't be excluded in case of adverse conditions.

Step 1:

The dimensions are always stated with the width (B) before the height (H), eg: YGV 500x300, 500 wide, 300 high.

Step 2:

Make a hole in the wall according to the dimensions of the louvre.

Step 3:

Mount the louvre and attach with required fastening material depending on the type of facade material.

Environmental product declaration:

For exact content of the product, see the current Building product declaration on www.abcvent.se