

## ABC-YGC

WALL LOUVRE AIR INTAKE/EXHAUST AIR



### USE

ABC-YGC is a circular wall louvre for air intake/ exhaust air. It's intended for normally exposed situations.

### DESIGN

ABC-YGC consists of a mounting frame with a plate insert that has a small animal-proof wire mesh. Manufactured in aluzinc corrosivity class C4.

### MAINTENANCE

Inspection of the product should be done at least once a year. Suction of powder snow and aerosols cannot be discounted in unfavourable conditions.

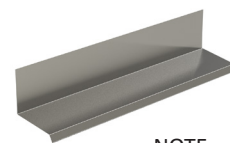
### ACCESSORIES

- Factory-fitted staples for mounting frame
- Insect-proof wire mesh.

### EXAMPLE, DESCRIPTIVE TEXT

VVS AMA  
QMB.1/QMF.1

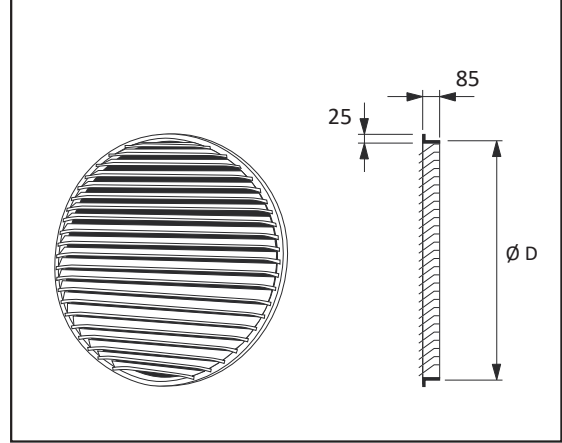
Wall louvre ABC-YGC by  
ABC Ventilationsprodukter AB.  
Size 630, manufactured in aluzinc  
corrosivity class C4.



NOTE.  
Overview should be  
mounted according to  
HUS AMA

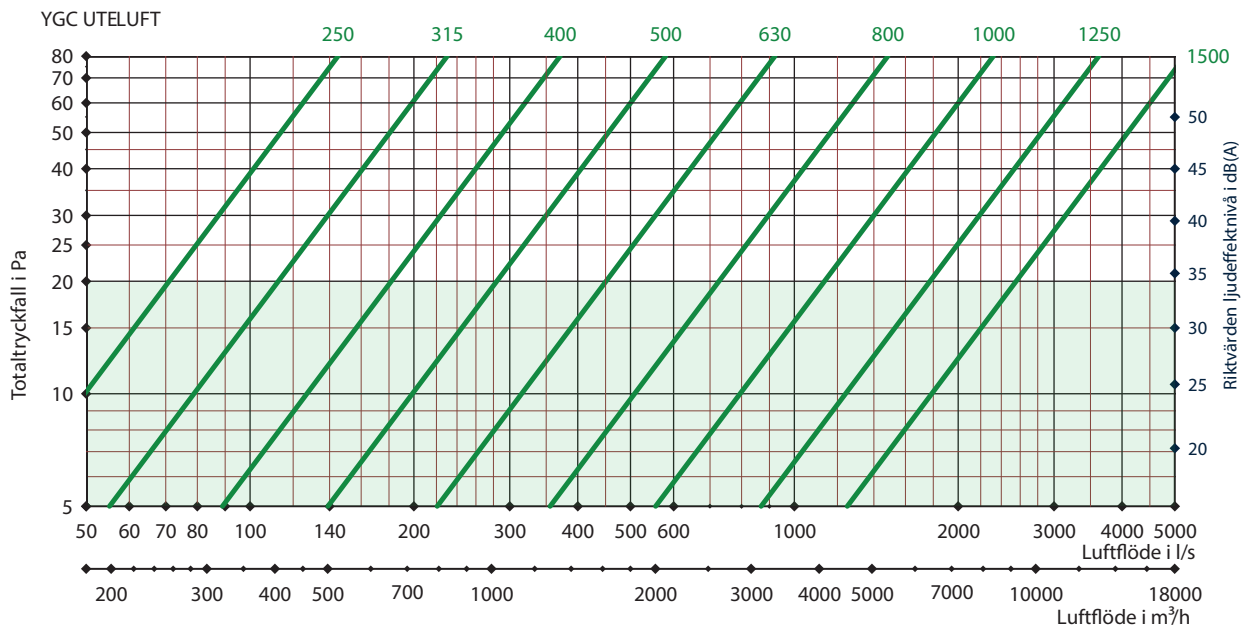
## MEASUREMENTS/SIZE



Size ABC-YGC	Weight kg	Ø D mm
250	1,5	240
315	2	305
400	2	390
500	4	490
630	6	620
800	9	790
1000	14	990
1250	21	1240
1500	30	1490



## DIMENSIONS

Specified data are guide values



 The green marked area  
 are a good energy choice 

The sound power level is reduced by the distance from the louvre,  
 according to the following table:

Distance in meters	1	2	4	6	8	10
Reduction of the sound power level in dB	3	9	15	18	21	24

NOTE: Sound attenuation is calculated using a theoretical  
 formula for attenuation of sounds generated from a flat surface  
 (outdoors).

Sound and pressure measurements performed by RISE

# Installation instructions:

Applies to: ABC -YGC



Use an overview to avoid water being led in behind the louvre. Seal against the surface in a suitable way.

- Carriage of aerosols, powder snow or icing can't be excluded in case of adverse conditions.

## Step 1:

Make an opening in the wall according to the size of the louvre.

## Step 2:

Mount the louvre and attach with required fastening material depending on the type of facade material.

## Environmental product declaration

For exact content of the product, see the current Building product declaration on [www.abcvent.se](http://www.abcvent.se)