

ABC-VHR
AIR INTAKE/EXHAUST AIR

Tip!
Before the system is in operation, the roof hood should be covered to avoid condensation problems.



USE
Circular air intake/exhaust air roof hood.

EXAMPLE, DESCRIPTIVE TEXT
VVS AMA
QMB.2/QMF.2

DESIGN
Manufactured in aluzinc. Sizes from 125-630 mm. Socket connection that complies with the spiral duct standard.

Air intake/exhaust roof hood ABC-VHR by ABC Ventilationsprodukter. Size 400 manufactured in aluzinc, corrosivity class C4.

MAINTENANCE
Inspection of the product should be done at least once a year. Suction of powder snow and aerosols cannot be discounted in unfavourable conditions.

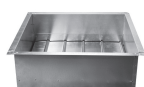
ACCESSORIES



Roof duct ABC-TG in EI 30 or EI 60 design. Standard length is 800 mm.



Roof duct sound-absorbing ABC-TGLD in EI 30 or EI 60 design. Standard length is 800 mm



ABC-BS



ABC-ÖG



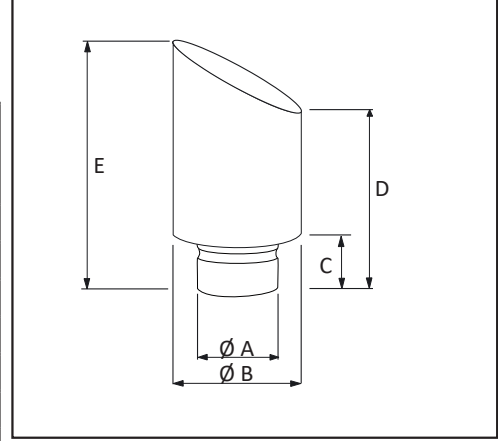
ABC-BANS



ABC-BP

MEASUREMENTS/SIZE

Size ABC-VHR	Weight kg	Ø A mm	Ø B mm	C mm	D mm	E mm	ABC-TG EI30 ¹	ABC-TG EI60 ²
125	1	125	240	100	329	454	300	400
160	2	160	290	100	440	598	300	400
200	3	200	400	100	510	710	300	400
250	4	250	440	100	496	750	400	500
315	6	315	550	100	628	945	400	500
400	15	400	690	200	702	1200	500	600
500	21	500	860	200	903	1500	600	700
630	38	630	1100	200	1155	1890	700	800

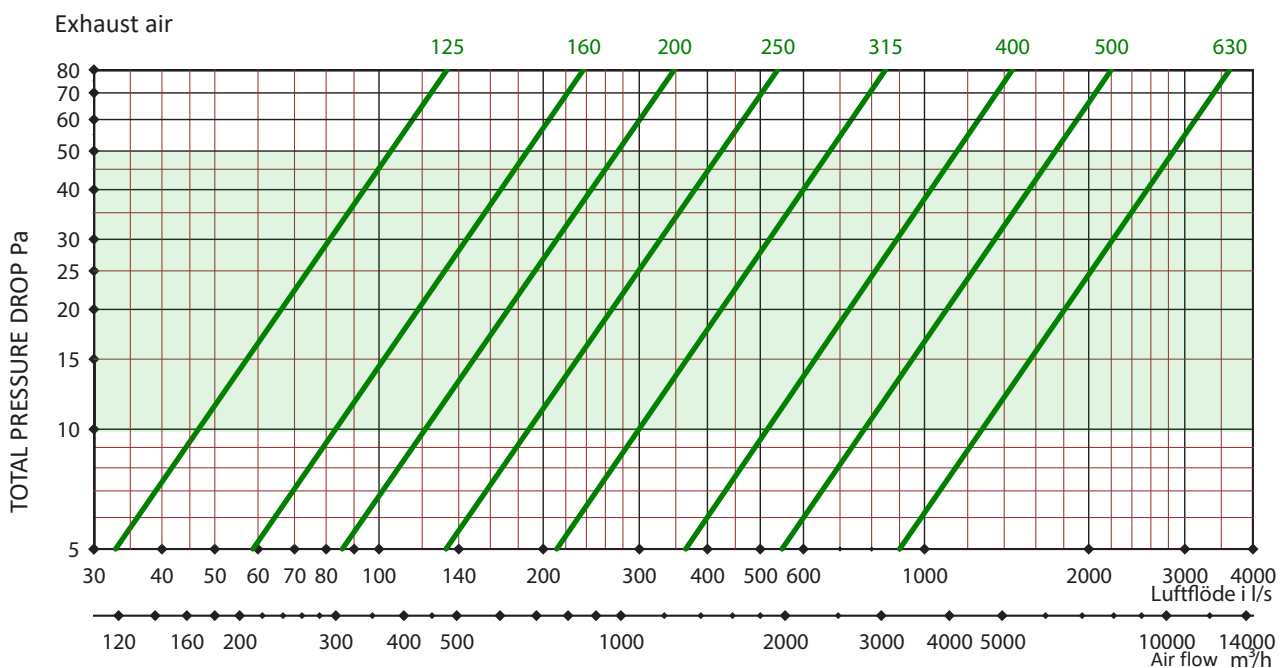
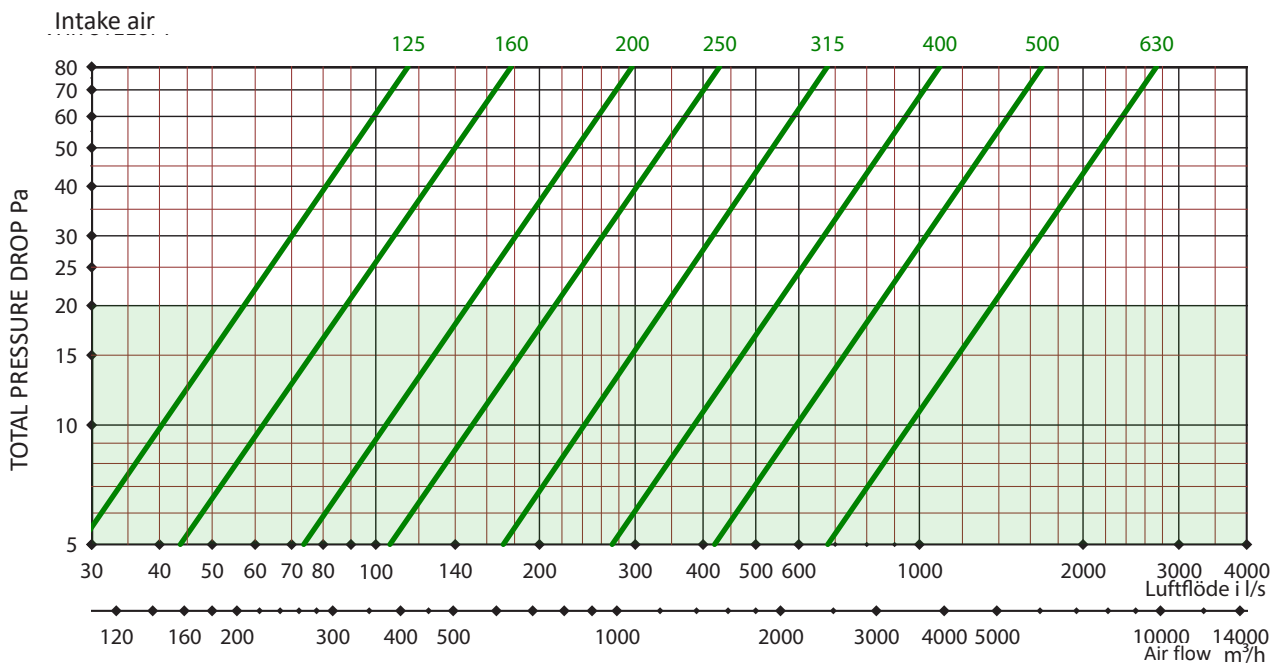



¹ Insulation corresponding to fire resistance class EI30.

² Insulation corresponding to fire resistance class EI60.

DIMENSIONS

Specified data are guide values



 The green marked area are a good energy choice



Sound and pressure measurements performed by RISE

 ©

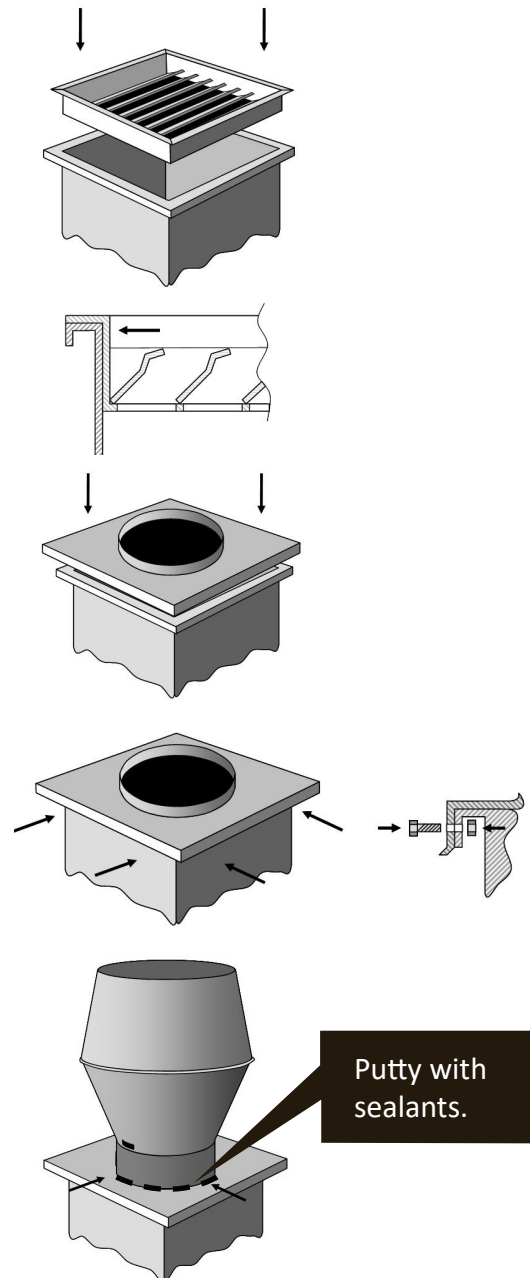
Air flow

ABC Ventilationsprodukter AB Tel: 033-29 08 80 www.abcvent.se

We retain the right to make changes without prior warning. Reproduction or copying of this data sheet is prohibited.

Installation instructions:

1. ABCs roof hoods are meant to be installed on some sort of roof duct, for example ABC-TG, TGC, TGLD or on already existing roof duct. As an extra safety, ABC-BS can be installed as a return damper between the roof hood and roof duct. The return damper is placed in the opening of the roof duct and is attached with metal screw above the stop ledge against the roof duct.
2. Circular roof hoods require a bottom plate, ABC-BP, this is installed on the roof duct.
3. When the bottom plate is installed so that it covers the frame of the roof duct, the bottom plate is attached with bolt and nut. Fix the bottom plate against the roof duct and drill right trough both the bottom plate and the roof duct.
4. Place the roof hood on the bottom plate and attach it in a suitable way, for example with metal screw. Putty with sealants for outdoor use around the roof hood according to the picture. Roof hoods with bigger sizes is recommended to be attached to the roof with metal wire.



Environmental product declaration

For exact content of the product, see the current Building product declaration on www.abcvent.se