

ABC-TG ROOF DUCT



USE

Roof duct ABC-TG is intended for the installation of roof hoods and roof fans.

DESIGN

Corresponding to fire class EI 30 alt EI 60.
Standard length is 800 mm.
Can be ordered in lengths 1000, 1150, 1400 and 1600.
Mounting brackets for mounting included.
Internal surface layer of type-approved synthetic fabric.

MAINTENANCE

Inspection of the product should be done at least once a year.

EXAMPLE, DESCRIPTIVE TEXT

VVS AMA
QLF.2
Roof duct ABC-TG by
ABC Ventilationproducts in AB fabrikat.
Size 1000 manufactured in galvanized steel.
Corrosivity class C3. Length 800.
Insulation corresponding to fire class EI30.
Internal surface layer of type-approved
synthetic fabric.

ALTERNATIVE



ABC-BP



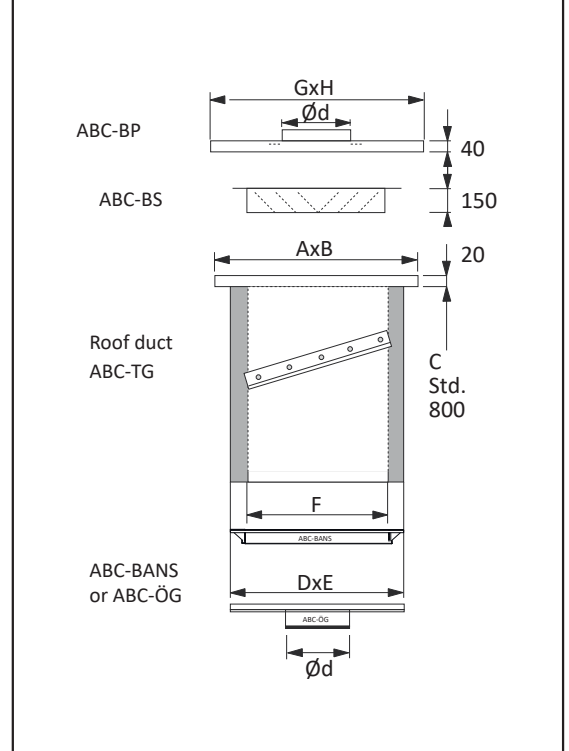
ABC-BS



ABC-ÖG



ABC-BANS



MEASUREMENTS/SIZE

SIZE ABC-TG	Weight kg EI-30 ¹ with length 800	AxB	C	DxE	F EI-30 ¹	F EI-60 ²
300	16	380x380	800	300x300	200	100
400	21	480x480	800	400x400	300	200
500	26	580x580	800	500x500	400	300
600	31	680x680	800	600x600	500	400
700	38	780x780	800	700x700	600	500
800	43	880x880	800	800x800	700	600
900	47	980x980	800	900x900	800	700
1000	52	1080x1080	800	1000x1000	900	800
1100	57	1180x1180	800	1100x1100	1000	900
1200	64	1280x1280	800	1200x1200	1100	1000
1300	69	1380x1380	800	1300x1300	1200	1100
1400	74	1480x1480	800	1400x1400	1300	1200
1500	78	1580x1580	800	1500x1500	1400	1300
1600	83	1680x1680	800	1600x1600	1500	1400
1700	90	1780x1780	800	1700x1700	1600	1500
1900	100	1980x1980	800	1900x1900	1800	1700
2100	110	2180x2180	800	2100x2100	2000	1900

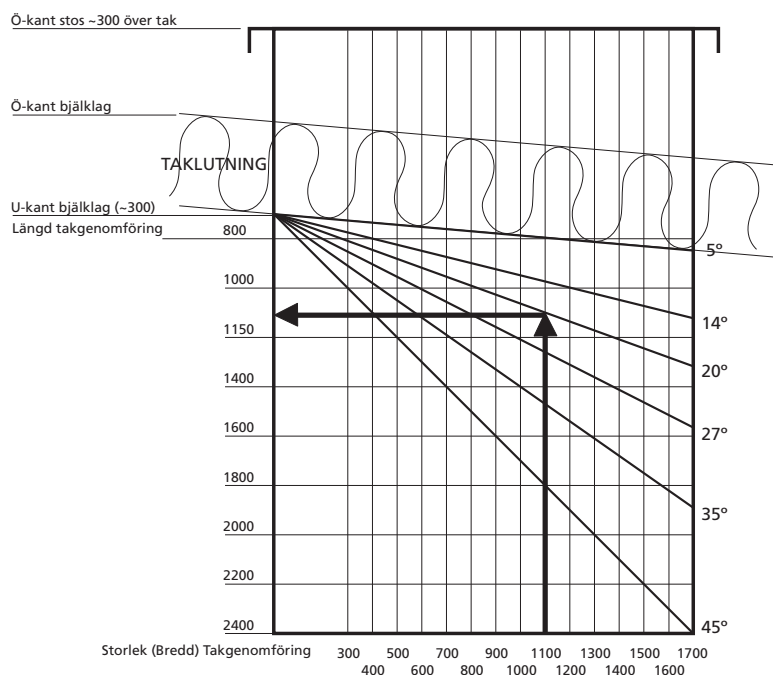
Size ABC-BANS F	Size ABC-ÖG DxE Ød	Size ABC-BP GxH	Size ABC-BS F
200x200	300x300 ≤ 200	400x400	200x200
300x300	400x400 ≤ 250	500x500	300x300
400x400	500x500 ≤ 400	600x600	400x400
500x500	600x600 ≤ 500	700x700	500x500
600x600	700x700 ≤ 500	800x800	600x600
700x700	800x800 ≤ 630	900x900	700x700
800x800	900x900 ≤ 800	1000x1000	800x800
900x900	1000x1000 ≤ 800	1100x1100	900x900
1000x1000	1100x1100 ≤ 1000	1200x1200	1000x1000
1100x1100	1200x1200 ≤ 1000	1300x1300	1100x1100
1200x1200	1300x1300 ≤ 1000	1400x1400	1200x1200
1300x1300	1400x1400 ≤ 1250	1500x1500	1300x1300
1400x1400	1500x1500 ≤ 1250	1600x1600	1400x1400
1500x1500		1700x1700	1500x1500
1600x1600		1800x1800	1600x1600
1800x1800		1900x1900	1800x1800
2000x2000		2100x2100	2000x2000

Punching for roof duct = D x E+20 mm.

¹ Insulation corresponding to fire class EI30

² Insulation corresponding to fire class EI60.

LENGTH DIAGRAM FOR SLOPING ROOF ABC-TG/TGLD (FOR TGC/TGCLD PLACED ALONG THE ROOF RIDGE)



Exempel, förutsättningar: Taklutning 20°
Takgenomföring ABC-TG 1100.

Gå in i diagrammet på BREDD-mått 1100, följ linjen uppåt tills Du träffar linjen för taklutning 20° U-kant bjälklag, (motsvarar en bjälklagstjocklek på 300 mm). Gå ut till vänster och läs av längden, välj närmast längre, i vårt fall välj LÄNGD 1150.

Punching table - Sloping roof

Vin- kel(°)	Längd, bredd (mm)																							
	300	400	500	600	700	800	900	1000	1100	1200	1300	1400	1500	1600	1700	1900	2100	2300	2500	2700	2900	3100	3300	3500
5	321	422	522	622	723	823	923	1024	1124	1225	1325	1425	1526	1626	1726	1927	2128	2329	2530	2730	2931	3132	3333	3533
10	325	426	528	629	731	832	934	1035	1137	1239	1340	1442	1543	1645	1746	1955	2156	2358	2559	2761	2962	3164	3365	3567
12	327	429	531	633	736	838	940	1042	1145	1247	1349	1451	1554	1656	1758	1982	2184	2387	2589	2791	2994	3196	3398	3600
15	331	434	538	641	745	848	952	1055	1159	1262	1366	1469	1573	1676	1780	2010	2213	2416	2619	2822	3025	3228	3431	3634
17	334	438	543	647	752	857	961	1066	1170	1275	1379	1484	1589	1693	1798	2037	2241	2445	2649	2853	3057	3260	3464	3668
20	339	446	552	659	765	871	978	1084	1191	1297	1403	1510	1616	1723	1829	2042	2255	2468	2680	2893	3106	3319	3532	3745
22	344	451	559	667	775	883	991	1099	1206	1314	1422	1530	1638	1746	1854	2099	2315	2532	2748	2965	3181	3398	3614	3831
25	351	461	572	682	792	903	1013	1123	1234	1344	1454	1565	1675	1785	1896	2128	2345	2563	2780	2998	3215	3432	3650	3867
27	357	469	581	693	806	918	1030	1142	1255	1367	1479	1591	1703	1816	1928	2158	2376	2594	2812	3031	3249	3467	3685	3903
30	366	482	597	713	828	944	1059	1175	1290	1406	1521	1637	1752	1868	1983	2187	2407	2626	2845	3064	3283	3502	3721	3940
32	374	492	610	728	845	963	1081	1199	1317	1435	1553	1671	1789	1907	2025	2260	2496	2732	2968	3204	3440	3675	3911	4147
35	386	508	630	752	875	997	1119	1241	1363	1485	1607	1729	1851	1973	2095	2339	2584	2828	3072	3316	3560	3804	4049	4293
37	396	521	646	771	896	1022	1147	1272	1397	1523	1648	1773	1898	2023	2149	2399	2649	2900	3150	3401	3651	3902	4152	4402
40	412	542	673	803	934	1064	1195	1325	1456	1586	1717	1848	1978	2109	2239	2500	2761	3022	3284	3545	3806	4067	4328	4589
45	444	586	727	869	1010	1151	1293	1434	1576	1717	1858	2000	2141	2283	2424	2707	2990	3273	3556	3838	4121	4404	4687	4970
Omvandlingstabell																								
Lutning	1:1	1:1,5	1:2	1:2,5	1:3	1:4	1:5	1:6	1:8	1:12	1:16													
Vinkel	45°	33,7°	26,5°	21,8°	18,4°	14°	11,3°	9,5°	7,1°	4,8°	3,5°													
Måttet som anges är exaktmått (inkl. passmån 20 mm).																								

Installation TG, TGLD, TGTH

Image 1:

Make the opening in the roof according to the size of roof duct, $D \times E + 20\text{mm}$.
(D&E dimensions - see product sheet)
Think of the roof pitch!

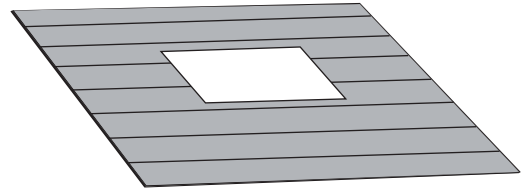


Image 2:

The mounting brackets are attached to each side of the roof duct on the upper roof with a screw in the middle. Use a spirit level to adjust the roof duct in balance and then fasten the mounting brackets with additional screw.

NOTE!

At least 300-500 mm at the rear edge or according to snow height..

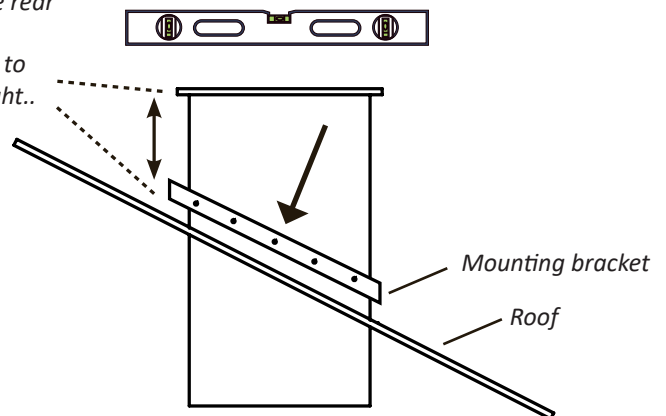
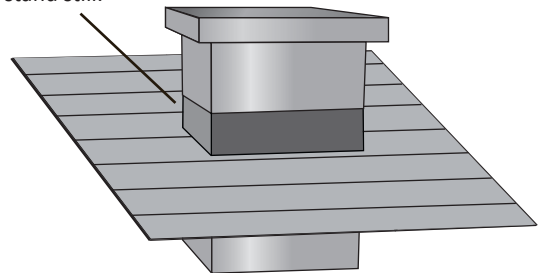


Image 3:

Seal the roof duct against the roof. We recommend that you dress the roof duct on the sides with plywood boards above the ceiling. Design the back of the refinishing with a fall so that the water don't stand still.

NOTE!

Design the back of the refinishing with a fall so that the water don't stand still.



Environmental product declaration:

For exact content of the product, see the current building product declaration at abcvent.se.