



# ABC-KH

NATURAL VENTILATION EXHAUST HOOD  
2020-06

Product brochure

# ABC-KH

NATURAL VENTILATION ROOF HOOD

**Tip!**  
 Before the facility is in operation, the roof hood should be covered to avoid condensation problems.



Do not forget bottom plate for connection against roof duct.

**USE**  
 Circular roof hood.

**DESIGN**  
 Normally manufactured in circular female dimensions and provided with wire mesh. Direction of air is horizontal. Manufactured in galvanized sheet steel, aluzinc, stainless steel and acid-proof steel.

**EXAMPLE, DESCRIPTIVE TEXT**  
 ROOF HOOD ABC-KH by ABC Ventilationsprodukter. Size 200 manufactured in aluzinc, corrosivity class C4. Coated according to color map or instructions from architect.

**MAINTENANCE**  
 Inspection of the product should be done at least once a year.

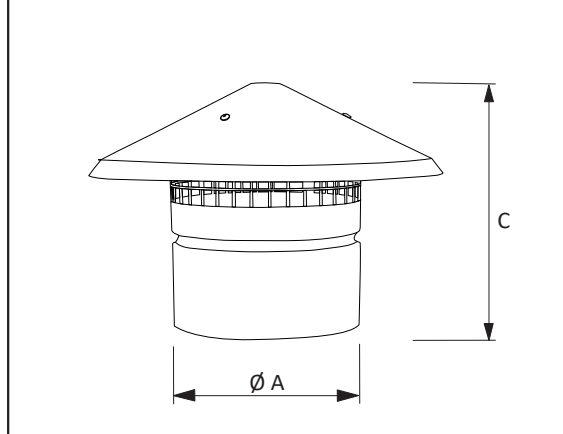
**ALTERNATIVE**



ABC-KH can be manufactured with a roof that can be folded to facilitate cleaning.

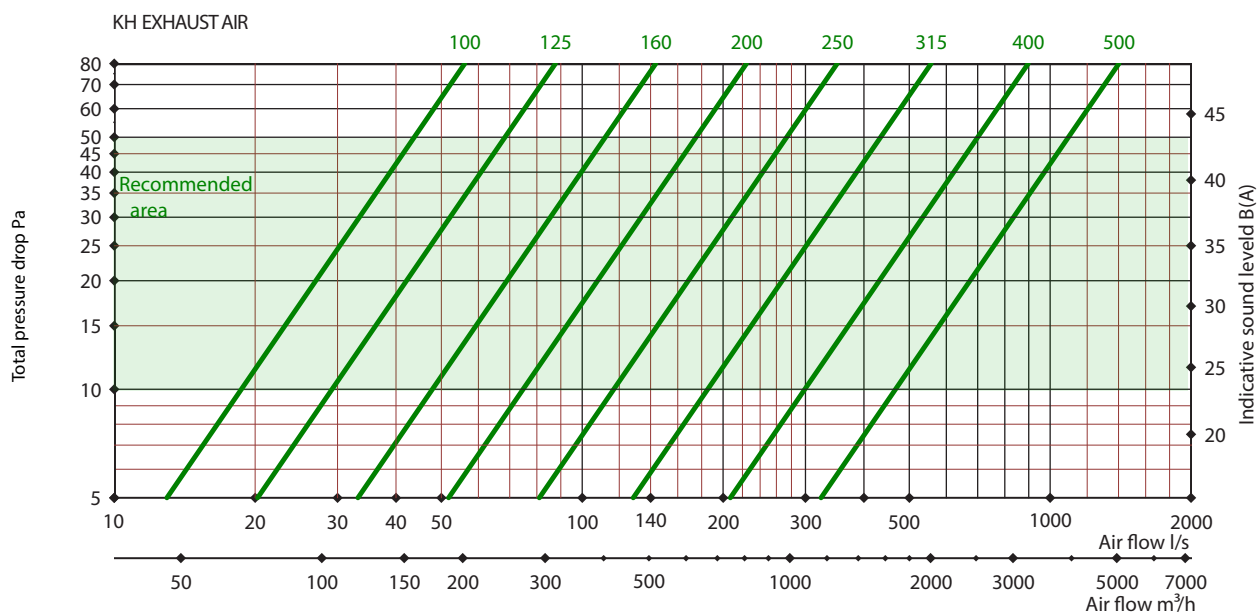
## MEASUREMENTS/SIZE

Size Female circular connection ABC-KH $\varnothing$	Weight- kg	A mm	C mm	ABC-TG EI30 <sup>1</sup>
100	1	100	140	300
125	1	125	165	300
160	1	160	200	300
200	1	200	240	300
250	1	250	290	400
315	2	315	345	500
400	3	400	440	600
500	4	500	540	700



<sup>1</sup> Insulation equivalent to fire resistance class EI30.

## SIZING



Distance corrected sound level dB(A)	
Distance m	Correction dB(A)
5	-22
10	-28
15	-32
20	-34
30	-38
40	-40
50	-42
60	-44



Sound and pressure measurements performed by RISE  
(Sveriges Tekniska Forskningsinstitut)

ABC Ventilationsprodukter AB Tel: 033-29 08 80 [www.abcvent.se](http://www.abcvent.se)  
We retain the right to make changes without prior warning. Reproduction or copying of this data sheet is prohibited.

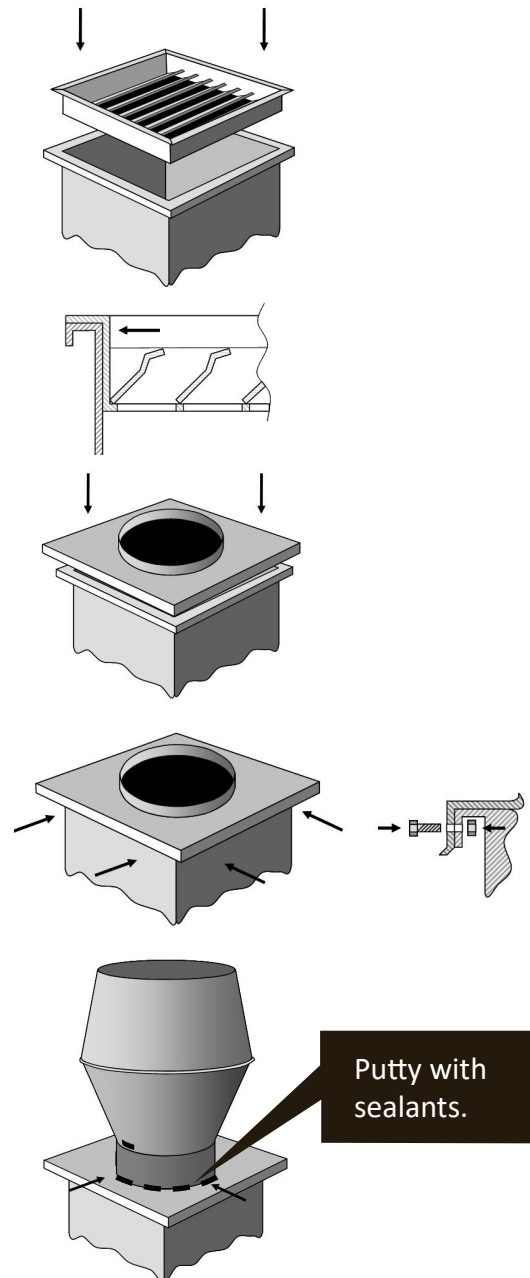
# Installation

1. ABCs roof hoods are meant to be installed on some sort of roof duct, for example ABC-TG, TGC, TGLD or on already existing roof duct. As an extra safety, ABC-BS can be installed as a return damper between the roof hood and roof duct. The return damper is placed in the opening of the roof duct and is attached with metal screw above the stop ledge against the roof duct.

2. Circular roof hoods require a bottom plate, ABC-BP, this is installed on the roof duct.

3. When the bottom plate is installed so that it covers the frame of the roof duct, the bottom plate is attached with bolt and nut. Fix the bottom plate against the roof duct and drill right trough both the bottom plate and the roof duct.

4. Place the roof hood on the bottom plate and attach it in a suitable way, for example with metal screw. Putty with sealants for outdoor use around the roof hood according to the picture. Roof hoods with bigger sizes is recommended to be attached to the roof with metal wire.



## Environmental product declaration:

For exact content of the product, see the current building product declaration at [abcvent.se](http://abcvent.se).



ABC Ventilationsprodukter AB Tel: 033-29 08 80 [www.abcvent.se](http://www.abcvent.se)  
Vi förbehåller oss rätten till ändringar utan föregående besked. Eftertryck eller kopiering av produktblad utan tillstånd beivras.